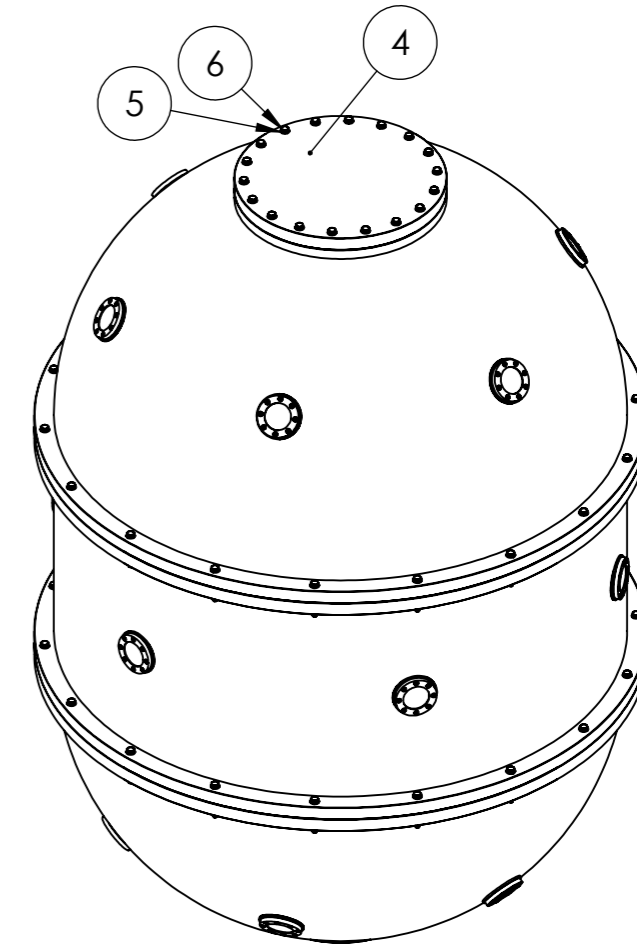
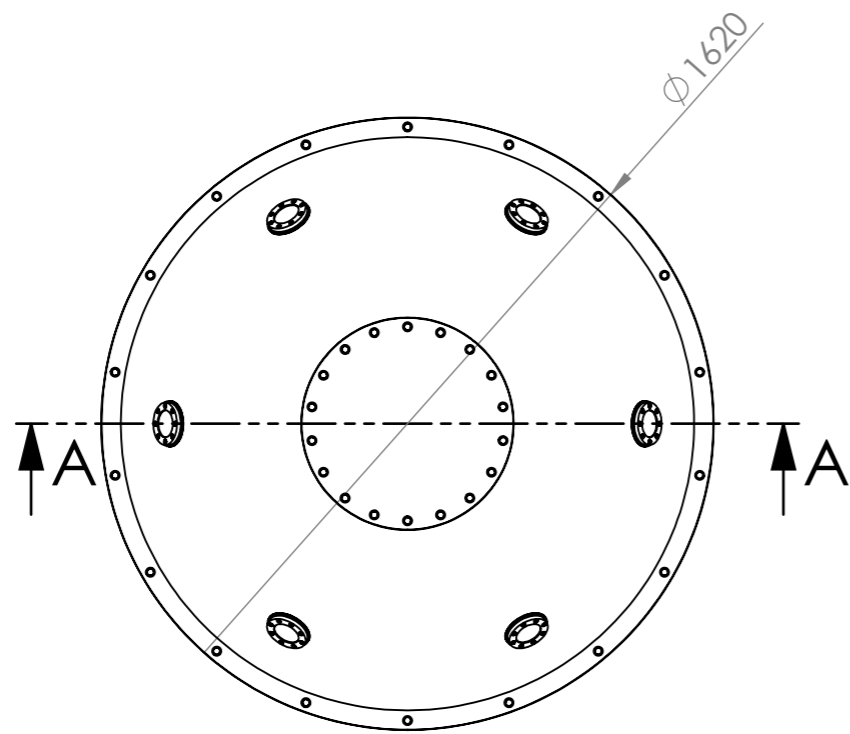
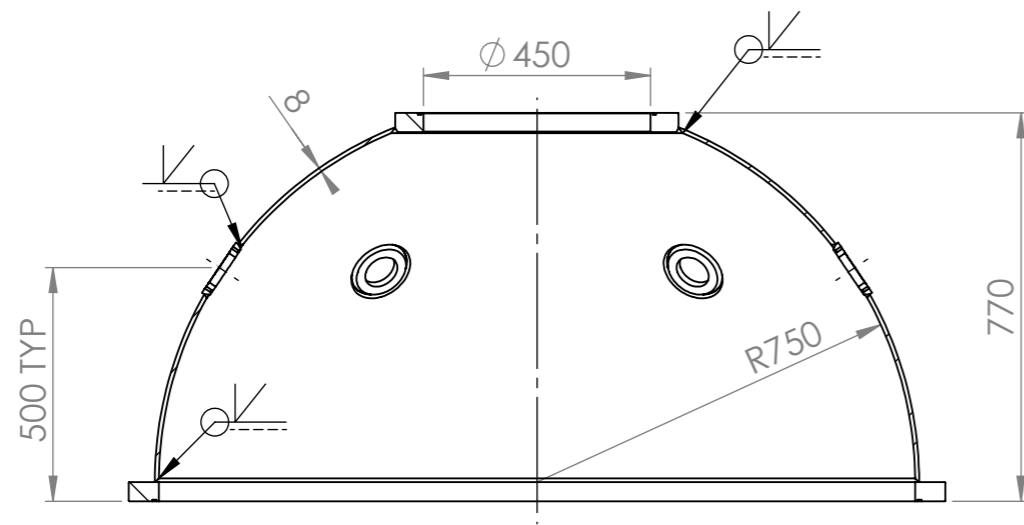


SECTION  
A-A

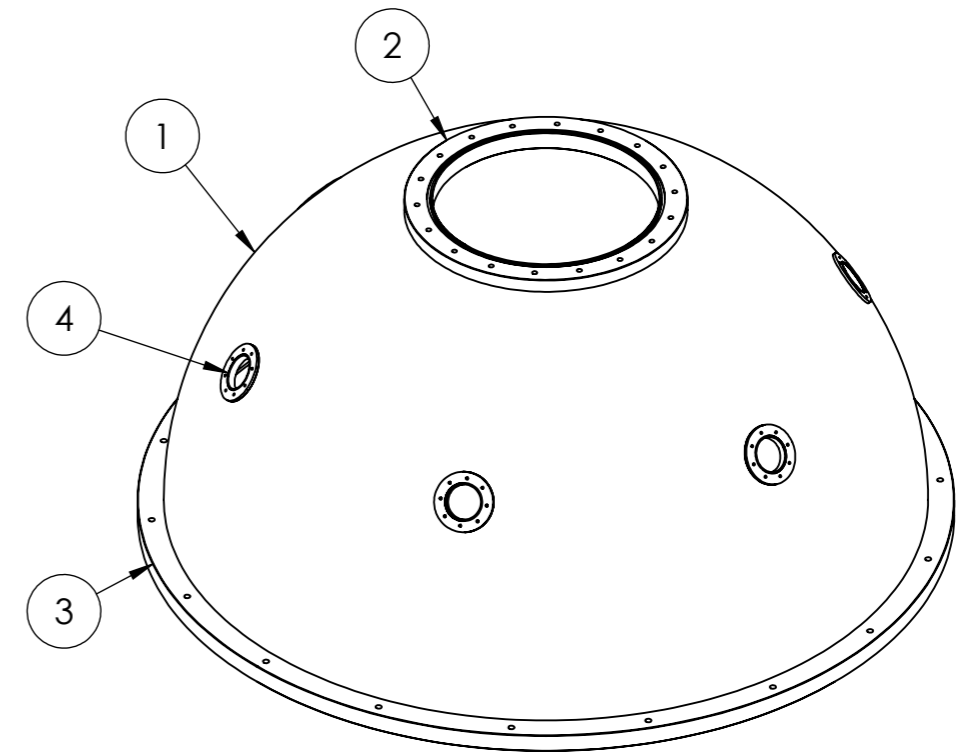
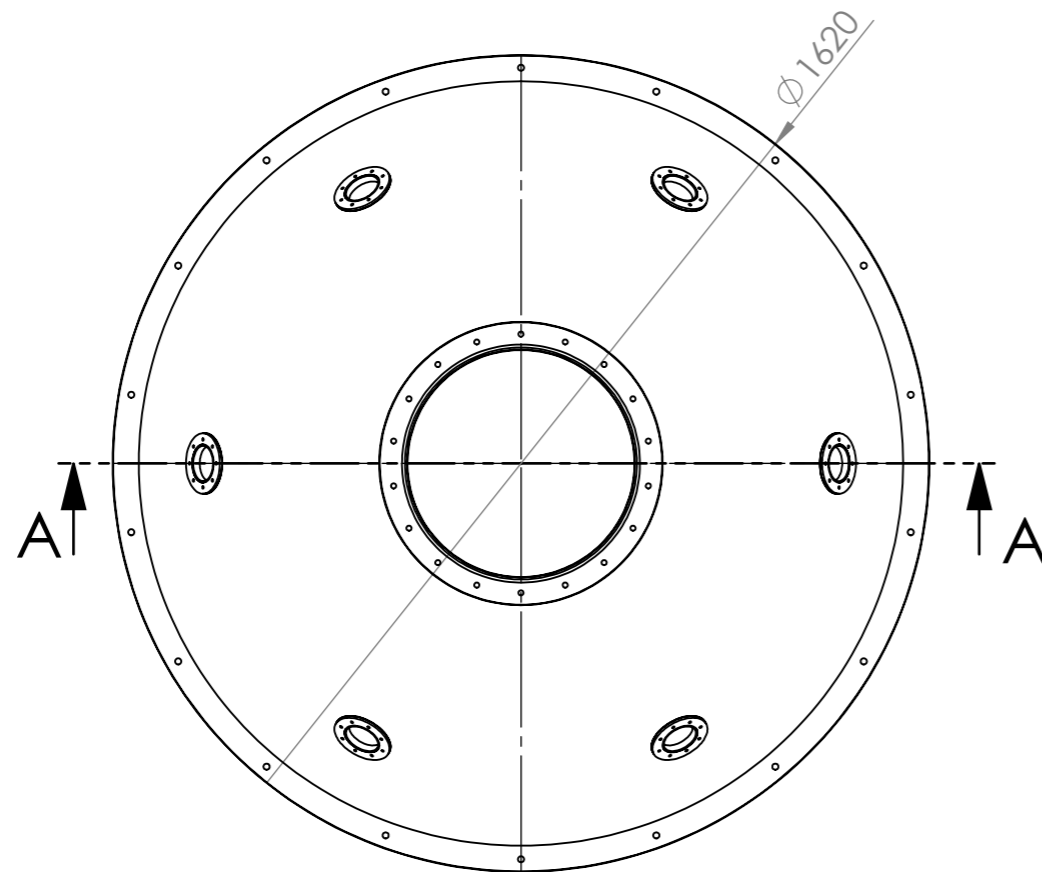


ITEM NO.	PART NUMBER	QTY
1	Mid Section - Vacuum Chamber	1
2	Upper Hemisphere - Vacuum Chamber	1
3	Lower Hemisphere - Vacuum Chamber	1
4	Blind Flange - Vacuum Chamber	1
5	Washer ISO 7089 - 12	90
6	ISO 4017 - M12 x 65-N	18
7	ISO 4017 - M12 x 100-N	36
8	ISO 4762 M6 x 20 --- 20N	144
9	Hexagon Nut ISO - 4032 - M12 - W - N	36
10	O-ring - 1500 mm	2
11	Viewport with O-ring DN63 - ISO-F	18
12	O-ring - Blind Flange	1

UNLESS OTHERWISE SPECIFIED: DIMENSIONS ARE IN MILLIMETERS SURFACE FINISH: TOLERANCES: LINEAR: ANGULAR:				FINISH:		DEBUR AND BREAK SHARP EDGES		DO NOT SCALE DRAWING		REVISION	
DRAWN				NAME		SIGNATURE		DATE		TITLE:	
CHK'D										FOTONIKA - LV	
APPV'D											
MFG										VACUUM CHAMBER ASSEMBLY	
Q.A											
								MATERIAL:		DWG NO.	
										FOT-1000	
								WEIGHT:		SCALE:1:20	
										SHEET 1 OF 1	
										A3	

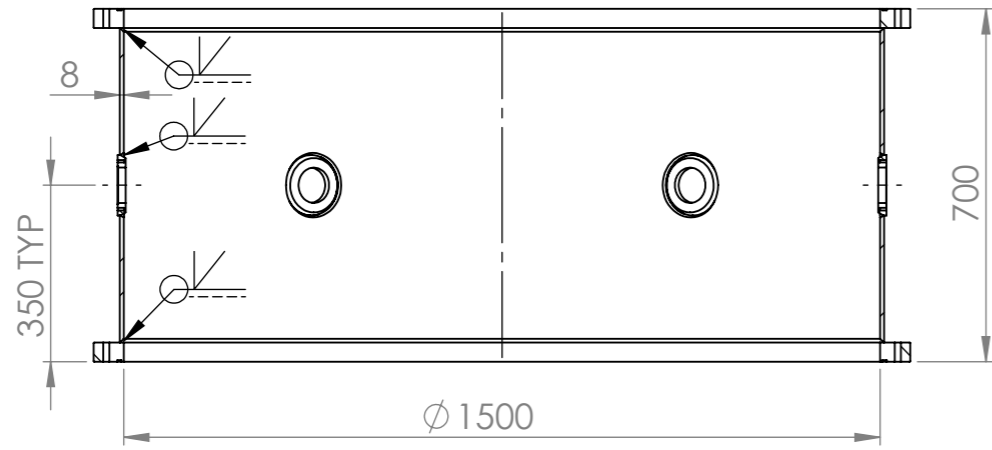


SECTION  
A-A

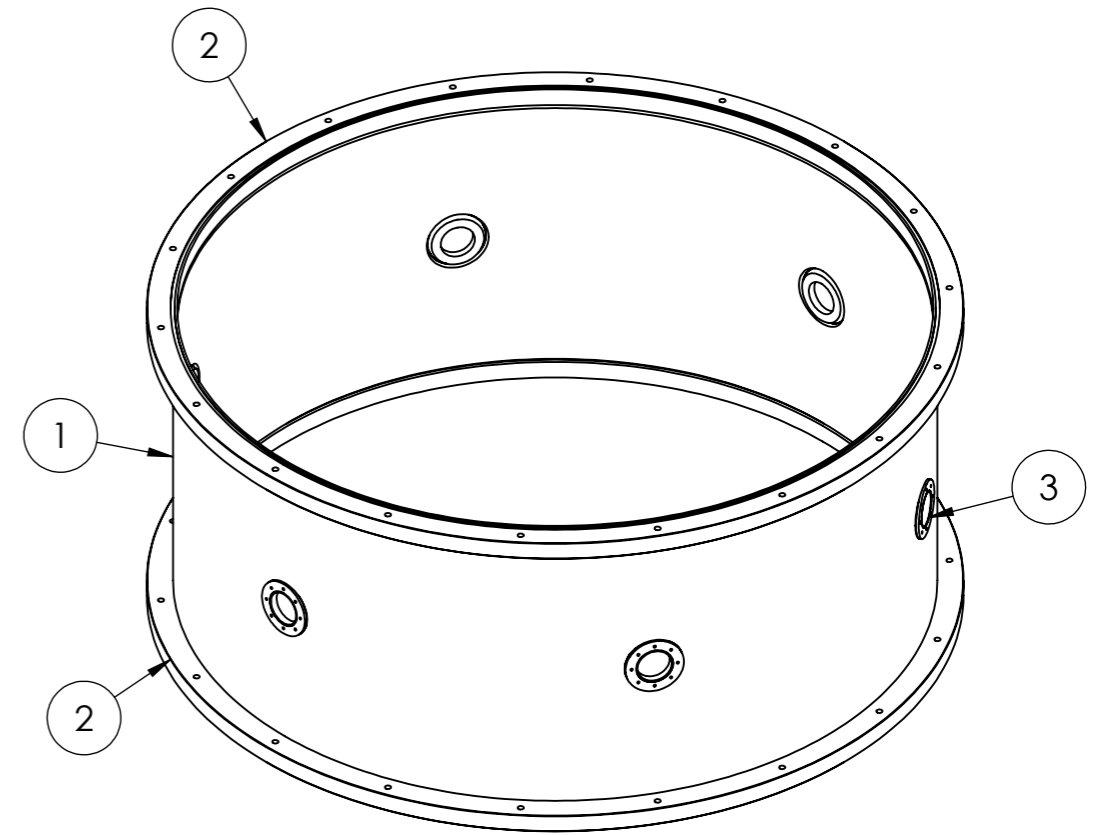
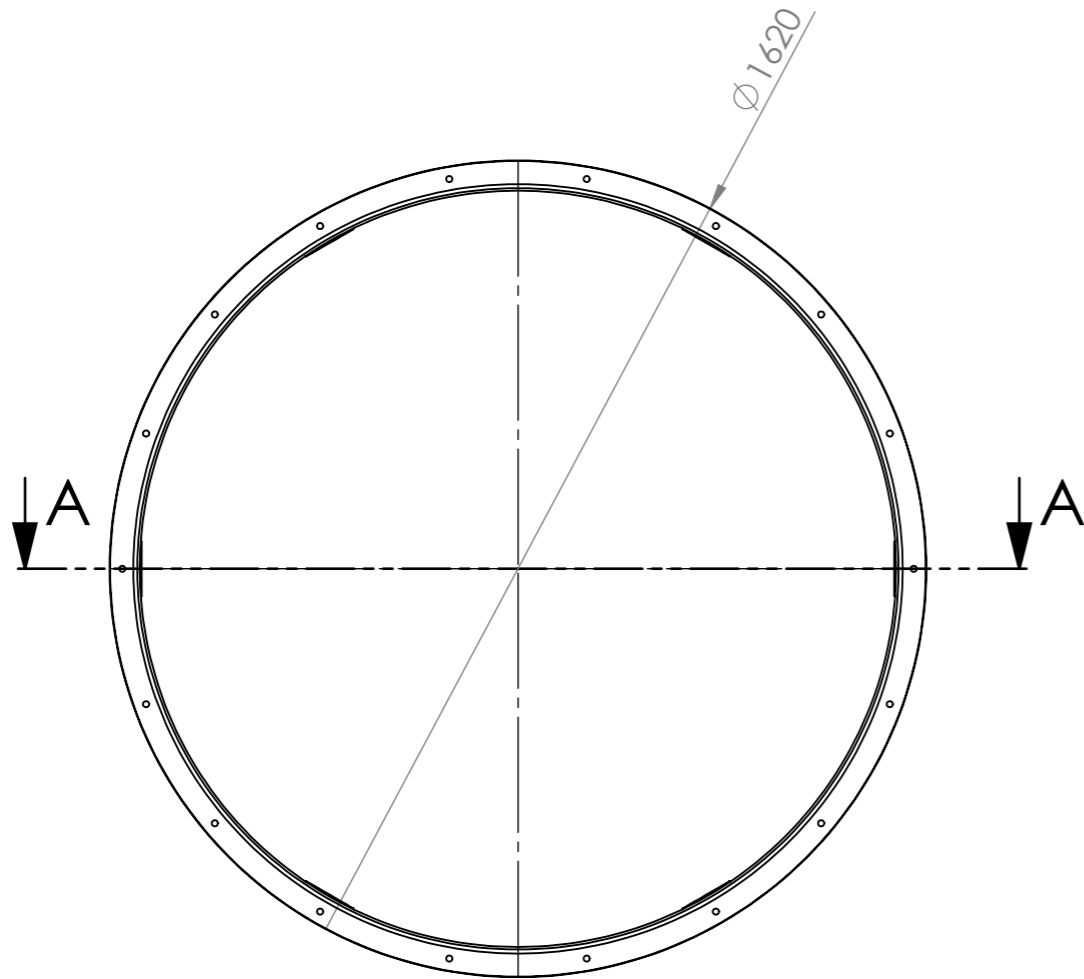


ITEM NO.	PART NUMBER	QTY
1	Hemisphere - Vacuum Chamber	1
2	Base Plate for Flange - DN450	1
3	Hemisphere Flange - Vacuum Chamber	1
4	Base Plate - DN63 - ISO-F	6

UNLESS OTHERWISE SPECIFIED: DIMENSIONS ARE IN MILLIMETERS SURFACE FINISH: TOLERANCES: LINEAR: ANGULAR:				FINISH:		DEBUR AND BREAK SHARP EDGES		DO NOT SCALE DRAWING		REVISION	
DRAWN				NAME		SIGNATURE		DATE		TITLE:	
CHK'D										<p>FOTONIKA - LV</p> <p>UPPER HEMISPHERE ASSEMBLY/WELDMENT</p>	
APPV'D											
MFG											
Q.A											
						MATERIAL:		DWG NO.		A3	
						WEIGHT:		SCALE:1:15		SHEET 1 OF 1	
								FOT-1001			

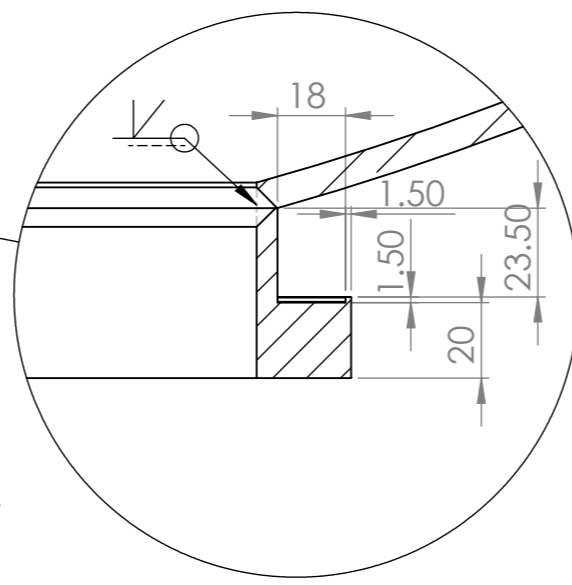
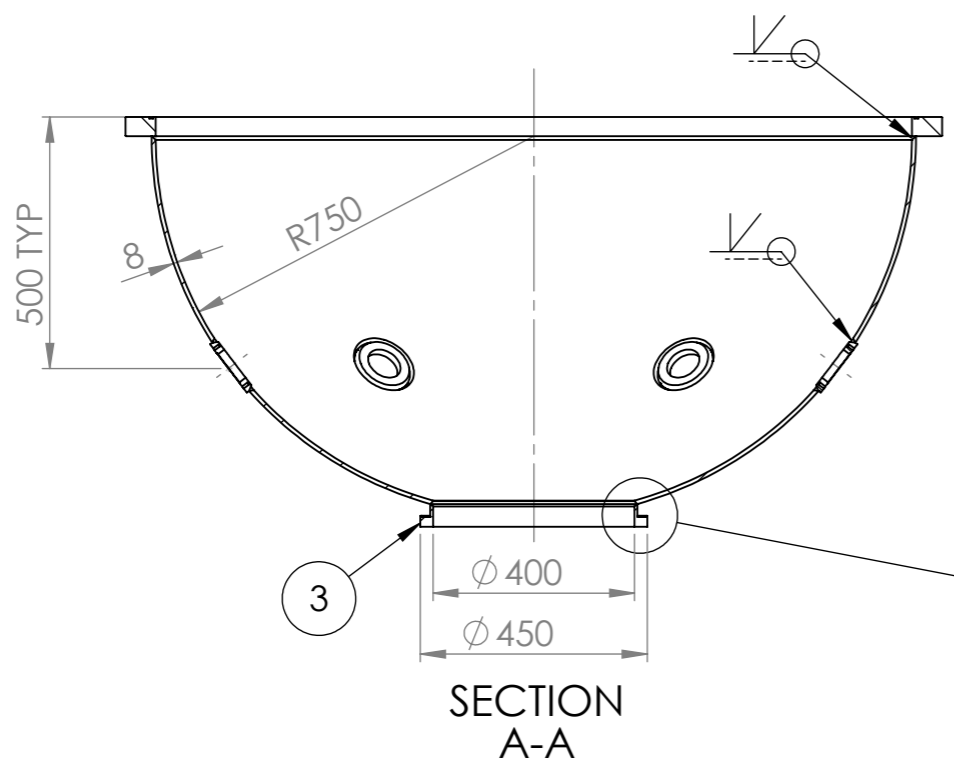


SECTION  
A-A

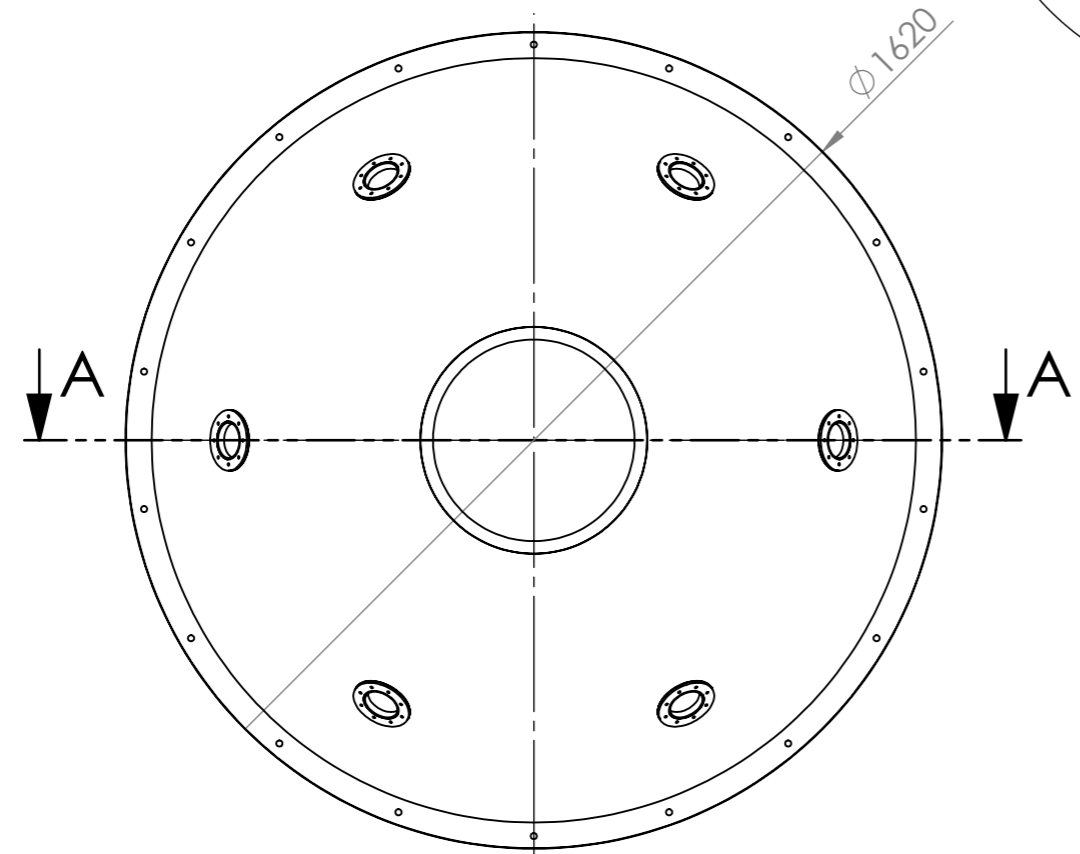
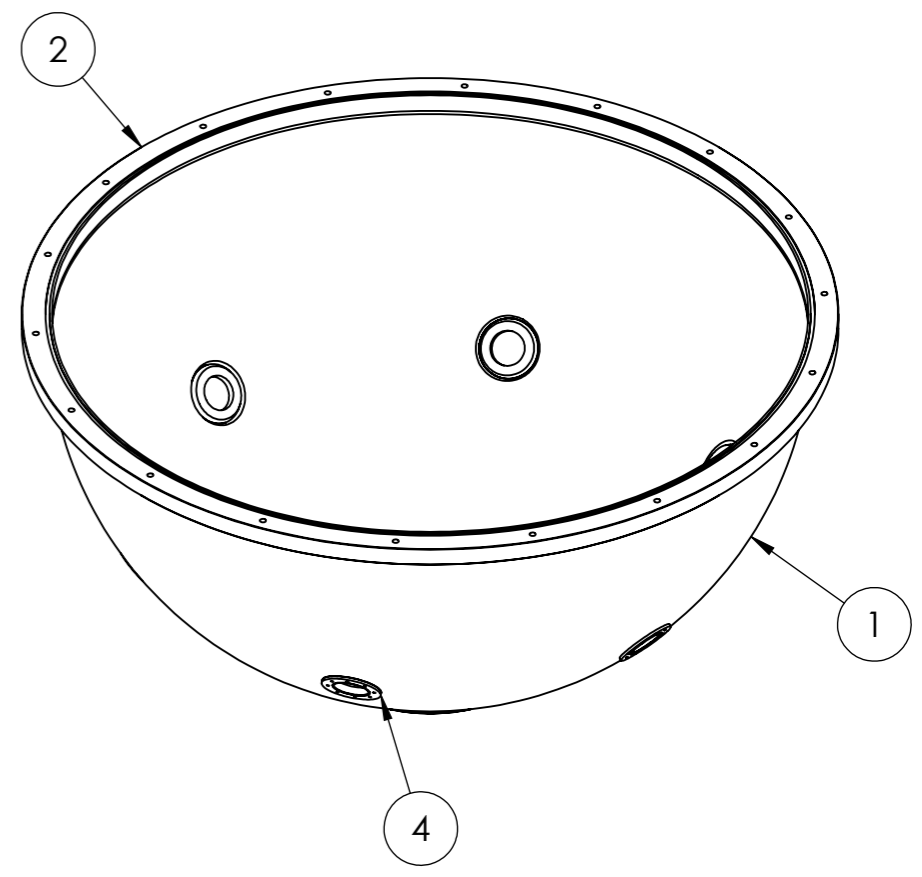


ITEM NO.	PART NUMBER	QTY
1	Tube Mid Section - Vacuum Chamber	1
2	Hemisphere Flange - Vacuum Chamber	2
3	Base Plate - DN63 - ISO-F	6

UNLESS OTHERWISE SPECIFIED: DIMENSIONS ARE IN MILLIMETERS SURFACE FINISH: TOLERANCES: LINEAR: ANGULAR:				FINISH:		DEBUR AND BREAK SHARP EDGES		DO NOT SCALE DRAWING		REVISION	
DRAWN				NAME		SIGNATURE		DATE		TITLE:	
CHK'D										FOTONIKA - LV	
APPV'D											
MFG										MIDDLE SECTION ASSEMBLY/WELDMENT	
Q.A											
								MATERIAL:		DWG NO. FOT-1002	
								WEIGHT:		SCALE:1:15	
										SHEET 1 OF 1	
										A3	



DETAIL B  
SCALE 1 : 2



ITEM NO.	PART NUMBER	QTY
1	Hemisphere Lower - Vacuum Chamber	1
2	Hemisphere Flange - Vacuum Chamber	1
3	Lower Flange - Vacuum Chamber	1
4	Base Plate - DN63 - ISO-F	6

UNLESS OTHERWISE SPECIFIED: DIMENSIONS ARE IN MILLIMETERS SURFACE FINISH: TOLERANCES: LINEAR: ANGULAR:				FINISH:		DEBUR AND BREAK SHARP EDGES		DO NOT SCALE DRAWING		REVISION	
DRAWN				NAME		SIGNATURE		DATE		TITLE:	
CHK'D										FOTONIKA - LV  LOWER HEMISPHERE ASSEMBLY/WELDMENT	
APPV'D											
MFG											
Q.A											
								MATERIAL:		DWG NO. FOT-1003	
								WEIGHT:		SCALE:1:15	
										SHEET 1 OF 1	

A3